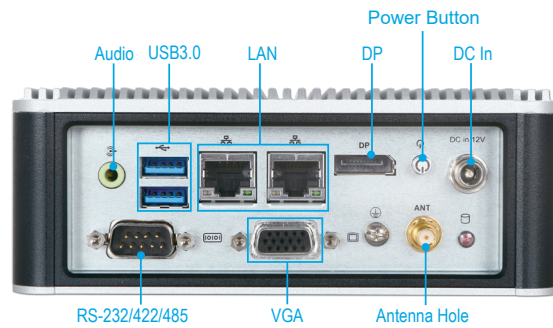
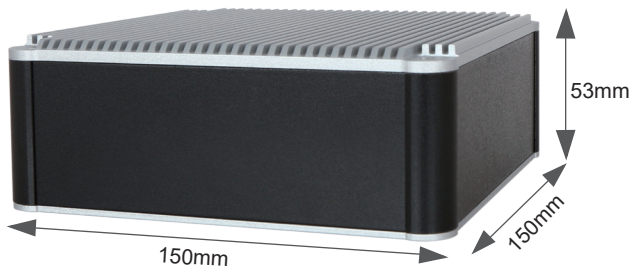


WEBS-2190

Embedded Compact Fan-less System with Intel® Atom® E3800 Series based NANO-ITX Board



The WEBS-2190 builds on Intel® Baytrail SoC and takes advantages of Intel® Atom® E3800 Series processor technologies, especially its vastly superior Quad-Core processing power and capability. The cost-effective CPU with high performance is of great use to build up a compact system, the WEBS-2190, it supports a wide temperature from -25°C to 60°C for fan-less applications in harsh environment, such as POS, kiosk, digital signage, transportation and automation.

FEATURES

- Fan-less and cable-less & small and exquisite design
- Fan-less solution with Quad/Dual-Core CPU
- Intel® Baytrail SoC base platform
- 1x Half-size Mini-PCIe socket (USB + PCIe x1 signal)
- 1x Antenna hole for WiFi or 3G/GPS module to use
- OP Vibration: 5Grms/10~500Hz
- OP Shock: 50G, 11msec
- IP40 Rating

ORDERING GUIDE

AS5-3367 (R).ATO.WEBS-2190.NANO-ITX System.

System

M/B	NANO-6060
System Chipset	Intel® Baytrail SoC
CPU	- Intel® Atom® E3845, 2M L2 Cache, 1.91GHz, 10W TDP (4C/4T) - Intel® Atom® E3827, 1M L2 Cache, 1.75GHz, 8W TDP (2C/2T)
BIOS	Phoenix UEFI BIOS (SPI ROM)
System Memory	Single 204-pin SO-DIMM socket supports DDR3L 1066/1333 up to 8GB
Storage	1x 2.5" SATA HDD/SSD, 1x Micro SD card
Watchdog Timer	Programmable via S/W from 1 sec. to 255 sec.
H/W Status Monitor	- Temperature (CPU & System) - Voltage (CPU Vcore, VBAT, 5VSB, 12V, 5V, 3.3V)
Expansion	1x Half-size Mini-PCIe socket

External I/O

Serial Port	1x RS-232/422/485 (Selected by BIOS)
Display	1x VGA, 1x DP
USB	2x USB3.0 (Optional kit: additional 2x USB3.0 ;Expande 2x USB2.0 by customizing)
Audio	Line-out (ALC892)
Ethernet	2x Gigabit Ethernet (Intel® I210IT)
Other	1x Antenna hole for WiFi or 3G/GPS module

Power Supply Unit

Power Input	DC 12V
-------------	--------

Environmental

Operation Temperature	-25°C ~ 60°C
Storage Temperature	-40°C ~ 80°C
Relative Humidity	95%@40°C, non-condensing
Operation Vibration	5Grms/10-500Hz, IEC 60068-2-6
Operation Shock	50G, 11 msec, IEC 60068-2-27

Mechanical

Dimension	150(W) x 150(D) x 53(H) mm; 5.9"(W) x 5.9"(D) x 2.1"(H)
Weight	1.3 Kg
Mounting	Wall, Panel, and DIN Rail mounting